

INNER WEST

INNER WEST COUNCIL EDWARD STREET, SUMMER HILL AT MUNGO SCOTT PLACE & WELLESLEY STREET PROPOSED KERB BLISTER ISLANDS



LOCALITY SKETCH
N.T.S.

IMAGE COURTESY OF NEARMAP

PROJECT #: 303093
PLAN #: 10228

**FOR
CONSTRUCTION**



UTILITIES, IF SHOWN, ARE
DIAGRAMMATIC ONLY. CONTRACTORS
ARE RESPONSIBLE TO LOCATE AND
AVOID DAMAGE TO THEM AS
SPECIFIED BY EACH UTILITIES
EXCAVATION GUIDELINES.

DRAWING INDEX	
SHEET #	SHEET TITLE
1	COVER SHEET
2	NOTES & SCHEDULES
3	DEMOLITION PLAN
4	GENERAL ARRANGEMENT
5	SIGNS & LINEMARKING
6	DETAILS
7	LINEMARKING GENERAL SPECIFICATIONS
8	UNDERGROUND UTILITIES PLAN

UNLESS DETAILED ON THIS DRAWING
ALL WORK SHALL CONFORM TO
AUS SPEC

\\file001\innerwest.nsw.gov.au\assets and Environment\GIS\CD\23\151197\303093-SUM-EdwardStMungoScottPl-KerbBlisterIslands\1.DESIGN\5. AutoDesign_working\Detailed Design\303093-10228-Plans.dwg

CHECKED & APPROVED 23/3/23	SURVEYED BY ADAM DILLON 10-11-22	INNER WEST 2-14 FISHER STREET, PETERSHAM NSW 2049 Ph. 02 9392 5000 Post: PO Box 14 PETERSHAM council@innerwest.nsw.gov.au Web: https://www.innerwest.nsw.gov.au	DOCUMENT REFERENCE	SURV. GEN. R.M.S. A.G.L. / SHELL PIPELINES SYDNEY WATER TELSTRA / OPTUS AUSGRID	COORDINATE SYSTEM LOCAL SCALES (ORIGINAL A1) N.A.	EDWARD STREET, SUMMER HILL AT MUNGO SCOTT PLACE & WELLESLEY STREET PROPOSED KERB BLISTER ISLANDS COVER SHEET	PROJECT NO. 303093	SHEET NO. 1 of 8
	APPROVED FOR CONSTRUCTION 23/3/23		DESIGNED BY JALAL UDDIN 30-11-22	SERVICES AFFECTED	NOTICE OF ENTRY KERB & GUTTER NOTICES DATE	REV. DATE DESCRIPTION APPROV.	PLAN NO. 10228	SHEET REV #

GENERAL NOTES

- DURING CONSTRUCTION THE WORK IS TO BE SIGNPOSTED AND MARKED TO THE REQUIREMENTS OF AS1742.2-2009 AND AS1742.3-2009 "TRAFFIC CONTROL DEVICES FOR WORKS ON ROADS".
- ALL WORK IS TO BE CARRIED OUT IN ACCORDANCE WITH COUNCIL'S TECHNICAL SPECIFICATION (AUS-SPEC) AND TO BEST PRACTICE STANDARDS AND TO THE SATISFACTION OF COUNCIL'S MANAGER, CAPITAL PROGRAM.
- OVERLAY TO CONSIST OF 40mm THICK AC10. REFER TO RELEVANT SECTION FOR DETAILS.
- ALL RESIDENTS AFFECTED BY THE PROPOSED WORKS SHOULD BE NOTIFIED AT LEAST 3 WORKING DAYS BEFORE THE COMMENCEMENT OF ROADWORKS.
- EXISTING SURFACE FITTINGS OF THE SERVICES SHALL BE ADJUSTED AS NECESSARY TO THE REQUIREMENTS OF THE RELEVANT AUTHORITY.
- SUITABLE VEHICULAR ACCESS SHALL BE MAINTAINED TO EACH LOT OR ALTERNATIVE ARRANGEMENTS MADE WITH THE OWNERS.
- WORK ONLY PERMITTED TO BE CARRIED OUT BETWEEN THE HOURS OF 7am AND 5pm FROM MONDAY TO SATURDAY. NO WORK PERMITTED ON SUNDAYS.
- ALL SERVICES TO BE CHECKED FOR LEVEL AND LOCATION PRIOR TO COMMENCEMENT OF WORK.
- ALL SERVICES AFFECTED BY NEW WORK TO BE ADJUSTED AS REQUIRED TO SUIT. NO SERVICE SURFACE FITTINGS ARE TO BE COVERED.
- PROJECT MANAGER TO INSPECT FOR ALL UNSOUND AREAS BEFORE PROFILING AC PAVEMENT AND AFTER PROOF ROLLING. WEAK SECTIONS ARE TO BE IDENTIFIED AND HEAVY-PATCHED TO A NOMINAL THICKNESS OF 150mm WITH AC28 BEFORE RESEALING IN ACCORDANCE TO TYPICAL CROSS-SECTION.
- THE LOCATION OF UNDERGROUND SERVICES AND HOUSE CONNECTIONS HAVE NOT BEEN SHOWN ON THIS PLAN AND MUST BE VERIFIED ON-SITE BY THE CONTRACTOR WITH REPRESENTATIVES FROM EACH OF THE UTILITY AUTHORITIES. CONTACT DIAL BEFORE YOU DIG PH: 1100
- EXISTING SIGNS TO REMAIN UNLESS OTHERWISE NOTED.
- ALL LINEMARKING AND RRPMS REMOVED OR AFFECTED DURING THE COURSE OF THE WORKS IS TO BE REINSTATED UNLESS NOTED OTHERWISE. ALL LINEMARKING IS TO COMPLY WITH RMS SPECIFICATION R141 - "PAVEMENT MARKING" AND TO BE THERMOPLASTIC TYPE AND INCLUDE PLASTIC BEADS IN ACCORDANCE WITH RMS SPECIFICATIONS 3357 AND 3353 RESPECTIVELY. ALL RRPMS TO COMPLY WITH RMS SPECIFICATION R142. ALL ROAD COLOURED PAINT MARKINGS TO COMPLY WITH RMS SPECIFICATION R110
- AREAS OF HEAVY PATCHING ARE TO BE MARKED OUT ON SITE PRIOR TO COMMENCEMENT OF WORK BY PROJECT MANAGER AND CIVIL DESIGN ENGINEER. REFER TO NOTE 10.
- THE CONTRACTOR SHALL ENSURE THAT ALL EXISTING SURROUNDING AREAS NOT REQUIRED TO BE REPLACED OR RESET AS PART OF THE WORKS SHALL NOT BE DAMAGED DURING THE COURSE OF THE WORKS.
- ASPHALTIC CONCRETE SHALL CONFORM TO RMS SPECIFICATIONS R116 - "ASPHALT (DENSE GRADED AND OPEN GRADED)".
- INSPECTIONS ARE REQUIRED AT THE FOLLOWING STAGES AND AS OTHERWISE DIRECTED BY THE MANAGER, CAPITAL PROGRAM.
 - ROAD PAVEMENT**
 - SUBGRADE TRIMMED AND CONSOLIDATED PRIOR TO FIRST PAVEMENT COURSE. (NOTE: SINGLE AXLE TRUCK WITH 8t LOAD TO BE AVAILABLE FOR PAVEMENT TEST.)
 - EACH PAVEMENT LAYER SPREAD AND COMPACTED. (NOTE: SINGLE AXLE TRUCK WITH 8t LOAD TO BE AVAILABLE FOR PAVEMENT TEST.)
 - PAVEMENT COMPLETED PRIOR TO SEALING
 - CONCRETE WORKS**
 - EXCAVATION COMPLETED
 - FORMWORK AND REINFORCEMENT SET
 - CONCRETE FORMED AND CURED
- LINE MARKING AND SIGNPOSTING TO BE INSTALLED AS SOON AS PRACTICABLE.
- KERB FACES OF ALL ISLANDS TO BE PAINTED WHITE AND TO INCLUDE GLASS BEADS IN ACCORDANCE WITH RMS SPECIFICATION No. 3353.
- KERB RAMPS TO BE PROVIDED WHERE SHOWN TO INNER WEST COUNCIL STANDARD BY MAINTAINING WITH MAXIMUM GRADIENT 1 IN 8.
- USE CAUTION TO PRESERVE HERITAGE LISTED STREET NAME PLAQUES EMBEDDED IN FOOTPATH WHEN CONSTRUCTION FOOTPATHS AND KERB RAMPS (IF SHOWN). NO STATE SURVEY MARKS ARE TO BE REMOVED PRIOR TO CONSULTING WITH COUNCIL'S SURVEYOR.
- INSTALL "CHANGED TRAFFIC CONDITIONS AHEAD" SIGNS ON ALL APPROACHES 75-100m IN ADVANCE OF THE INTERSECTION AND MAINTAIN FOR 3 MONTHS.
- ALL TRAFFIC SIGNS TO COMPLY WITH RMS QA SPECIFICATION R143 AND TO BE OF HIGH INTENSITY CLASS 1.
- ALL PATHWAYS WHERE AFFECTED BY CONSTRUCTION WORKS SHALL BE RECONSTRUCTED TO COUNCIL'S STANDARD SPECIFICATION.
- EXISTING LINEMARKING IS TO BE REMOVED BY GRINDING WHERE NEW LINEMARKING IS REQUIRED OR PROVIDED.
- ALL SIGNPOSTING ON SPLITTER, KERB OR PEDESTRIAN REFUGE ISLANDS TO BE ERRECTED USING V-NOTCH INSERTS EMBEDDED INTO CONCRETE (OR SIMILAR AS APPROVED BY COUNCIL).
- ALL CONCRETE ELEMENTS TO BE OF 25MPa UNLESS OTHERWISE STATED.

EROSION AND SEDIMENT CONTROL

- GENERAL MEASURES**
 - STOCKPILES SHALL BE CONFINED TO ONE CENTRAL AREA WHERE POSSIBLE.
 - EROSION CONTROL MEASURES TO BE IN PLACE PRIOR TO COMMENCEMENT OF ANY CONSTRUCTION WORK. MEASURES ARE APPLIED TO PROTECT ADJOINING PROPERTIES FROM EROSION AND SILT DAMAGE.
 - EROSION CONTROL MEASURES NOT TO BE REMOVED UNTIL CONSTRUCTION IS COMPLETED AND SITE HAS BEEN REHABILITATED.
 - REHABILITATION INCLUDES COMPLETION OF ALL CONSTRUCTION WORK AND LANDSCAPING, SEEDING OR TURFING OF ALL BATTERS AND FILL AREAS.
 - PIPED DRAINAGE NETWORKS SHOULD BE INSTALLED AND CONNECTED AS EARLY AS POSSIBLE.
 - ALL AREAS NOT SUBJECT TO CONSTRUCTION WORKS SHALL BE RETAINED FREE FROM DISTURBANCE OR DAMAGE DURING THE CURRENCY OF THE CONTRACT. SHOULD THESE AREAS BECOME DISTURBED OR DAMAGED, THEY SHALL BE RE-INSTATED BY THE CONTRACTOR AT NO COST TO THE PRINCIPAL.
 - ALL AREAS NOT SUBJECT TO CONSTRUCTION WORKS SHALL BE RETAINED FREE FROM DISTURBANCE OR DAMAGE DURING THE CURRENCY OF THE CONTRACT. SHOULD THESE AREAS BECOME DISTURBED OR DAMAGED, THEY SHALL BE RE-INSTATED BY THE CONTRACTOR AT NO COST TO THE PRINCIPAL.
- STABILISATION OF DISTURBED AREAS.**
 - STABILISATION OF DISTURBED AREAS SHALL BE IN ACCORDANCE WITH COUNCIL'S SPECIFICATION FOR GRASSING AND/OR SPECIFICATION FOR LANDSCAPE WORKS. THE FOLLOWING SHALL BE APPLIED FOR THE CONTROL OF EROSION AND SEDIMENTATION:-
 - STABILISATION OF DENuded AREAS SHALL COMMENCE AS SOON AS POSSIBLE AFTER THE AREAS HAVE BEEN DISTURBED.
 - ALL STABILISATION MEASURES SHALL BE UNDERTAKEN PRIOR TO THE END OF THE MAINTENANCE PERIOD.
- MAINTENANCE**
 - ALL SEDIMENT AND EROSION CONTROL DEVICES SHALL BE MAINTAINED IN A SATISFACTORY WORKING ORDER THROUGHOUT THE CONTRACT, MAINTENANCE AND DEFECTS LIABILITY PERIODS OR UNTIL SUCH EARLIER TIME AS THE AREA HAS BEEN STABILISED AND THE SUPERINTENDENT DIRECTS THAT THE DEVICE BE REMOVED.
 - THE CONTRACTOR SHALL INSPECT ALL DEVICES AFTER EACH STORM FOR STRUCTURAL DAMAGE OR CLOGGING BY SILT AND OTHER DEBRIS AND MAKE PROMPT REPAIRS OR REPLACEMENT.
- SEDIMENT CONTROL DEVICES (S.C.D.)**
 - THESE SHALL BE CONSTRUCTED AT INLETS TO STORMWATER SYSTEMS TO TRAP THE SEDIMENT IN RUNOFF. SECTIONS 11.3.02/03/04/06 OF THE N.S.W. DEPARTMENT OF HOUSING CONSTRUCTION SPECIFICATION, 1989 EDITION, SHALL APPLY.

PLANTING NOTES

- SUBGRADE TO BE CULTIVATED TO A MINIMUM DEPTH OF 100mm.
- PLANTING AREAS TO BE EXCAVATED TO A MINIMUM DEPTH OF 500mm AND FILLED WITH PREMIUM GRADE GARDEN SOIL.
- INORGANIC MULCH LAYER MINIMUM 75mm DEPTH IS TO BE SPREAD THROUGHOUT ALL PLANTING AREA.
- GARDEN AREA TO BE WATERED TWICE A WEEK FOR 3 MONTHS, OR AS REQUIRED TO MAINTAIN HEALTHY GARDEN.
- QUANTITIES OR SIZE OF PLANTS SPECIFIED ARE NOT TO BE DECREASED TO ENSURE ADEQUATE ESTABLISHMENT.

UNDERGROUND UTILITY SERVICES

- THE LOCATION OF UNDERGROUND UTILITY SERVICES SHOWN ON THIS PLAN ARE INDICATIVE ONLY. COUNCIL CANNOT GUARANTEE THEIR ACCURACY.
- PRIOR TO CONSTRUCTION, IT IS THE RESPONSIBILITY OF THE CONTRACTOR TO CARRY OUT THEIR OWN SERVICES SEARCH BY CONTACTING "DIAL BEFORE YOU DIG" (PH: 1100 OR WWW.1100.COM.AU). THE CONTRACTOR MUST CHECK THE LOCATION AND DEPTH OF ALL SERVICES PRIOR TO THE COMMENCEMENT OF WORKS.
- ALL SERVICES AFFECTED BY NEW WORK TO BE ADJUSTED AS REQUIRED TO SUIT NEW SURFACE LEVELS. (TO THE REQUIREMENTS OF THE RELEVANT SERVICE AUTHORITY).
- NO SERVICE SURFACE FITTINGS ARE TO BE COVERED.
- ALL PERMITS REQUIRED MUST BE OBTAINED FROM THE RELEVANT SERVICE AUTHORITY PRIOR TO COMMENCEMENT OF WORKS.
- ANY DAMAGE TO SERVICES SHALL BE RECTIFIED BY THE CONTRACTOR OR THE RELEVANT AUTHORITY AT NO COST TO COUNCIL.

PROTECTING SURVEY INFRASTRUCTURE

SURVEY MARKS SHALL BE PRESERVED AT ALL TIMES. WHERE PRESERVATION IS NOT POSSIBLE, THE PROJECT MANAGER SHALL BE NOTIFIED & CONSENT RECEIVED PRIOR TO THEIR REMOVAL. THE CONTRACTOR SHALL BE RESPONSIBLE FOR COMPLIANCE WITH THE SURVEYOR GENERAL'S DIRECTION NO.11 'PRESERVATION OF SURVEY INFRASTRUCTURE' AVAILABLE FROM LAND REGISTRY SERVICES NSW WEBSITE.

NOTE
ALL DIMENSIONS ARE IN METERS UNLESS OTHERWISE SHOWN

NOTE
ALL SIGNS AND LINES TO REMAIN UNLESS OTHERWISE NOTED.

IMPORTANT
ALL KERB RAMPS TO REMAIN UNLESS STATED OTHERWISE

NOTE
CONTRACTOR TO LOCATE ALL HOUSE SERVICES, SUCH AS STORMWATER OUTLET, GAS, WATER, TELEPHONE, ETC. PRIOR TO CONSTRUCTION AND SERVICES TO BE LOWERED AS REQUIRED

NOTE
WATER, SEWER, TELSTRA & ELECTRICITY SERVICES IN THE VICINITY OF WORKS, CONTRACTOR TO CONTACT SYDNEY WATER, TELSTRA & ENERGY AUSTRALIA PRIOR TO EXCAVATION

NOTE
CONTRACTOR TO REINSTATE ALL KERB & GUTTER, ROAD PAVEMENT AND FOOTPATHS AFFECTED BY WORKS TO INNER WEST COUNCIL STANDARD AND TO THE SATISFACTION OF THE PROJECT MANAGER

NOTE
SURFACE FITTINGS OF UNDERGROUND SERVICES ARE TO FINISH FLUSH WITH THE NEW SURFACES

CONCRETE

- ALL WORKMANSHIP AND MATERIALS SHALL BE IN ACCORDANCE WITH AS 3600 CURRENT EDITION WITH AMENDMENTS EXCEPT WHERE VARIED BY THE CONTRACT DOCUMENTS.
- CONCRETE QUALITY.

ELEMENT	SLUMP	MAX AGGREGATE SIZE	CEMENT TYPE	CEMENT GRADE
ALL	80mm	20mm	GP	25MPa

- NO ADMIXTURES SHALL BE USED WITHOUT THE APPROVAL OF THE ENGINEER.
- CLEAR CONCRETE COVER TO REINFORCEMENT SHALL BE AS FOLLOWS UNLESS OTHERWISE SHOWN-

ELEMENT	SURFACE OF MEMBER IN INTERIOR ENVIRONMENT	SURFACE OF MEMBER IN ABOVE GROUND EXTERIOR ENVIRONMENT	SURFACE OF MEMBER IN CONTACT WITH GROUND (1)	SURFACE OF MEMBER IN WATER
ALL	35	45	55	75

NOTE:

- COVER MAY BE REDUCED BY 10mm IF THE SURFACE IS PROTECTED BY A DAMP-PROOF MEMBRANE.
- SLABS EXPOSED TO CORROSIVE VAPOURS, CORROSIVE GROUND WATER, SEA WATER, OR SPRAY ARE TO HAVE REINFORCEMENT COVER AS NOTED ON THE DRAWINGS.

- SIZES OF CONCRETE ELEMENTS DO NOT INCLUDE THICKNESS OF APPLIED FINISHES.
- CONSTRUCTION JOINTS WHERE NOT SHOWN SHALL BE LOCATED TO THE APPROVAL OF THE ENGINEER.
- BEAM DEPTHS ARE WRITTEN FIRST AND INCLUDE SLAB THICKNESS IF ANY.

LANDSCAPED PLANTING SCHEDULE

NAME OF PLANT	UNIT	QUANTITY	POT SIZE	COMMENTS
GAZANIA TOMENTOSA	1/m ²	19	140mm DIA	GROUND COVERS IN KERB BLISTERS
DIANELLA CAERULEA "LITTLE JESS"	Ø0.4m STAGGERED	34	140mm DIA	MAIN LANDSCAPE IN KERB BLISTERS

LANDSCAPED PLANTING SCHEDULE

NAME OF PLANT	QUANTITY
MICROMESH HEELSAFE GRATE (WELDLACK CODE: F30MAI OR EQUIVALENT)	10m

- NO HOLES OR CHASES OTHER THAN THOSE SHOWN ON THE STRUCTURAL DRAWINGS SHALL BE MADE IN CONCRETE MEMBERS WITHOUT THE PRIOR APPROVAL OF THE ENGINEER.
- REINFORCEMENT IS REPRESENTED DIAGRAMMATICALLY. IT IS NOT NECESSARILY SHOWN IN TRUE PROJECTION.
- SPLICES IN REINFORCEMENT SHALL BE MADE ONLY IN THE POSITIONS SHOWN THE WRITTEN APPROVAL OF THE ENGINEER SHALL BE OBTAINED FOR ANY OTHER SPLICES WHERE THE LAP LENGTH IS NOT SHOWN IT SHALL BE SUFFICIENT TO DEVELOP THE FULL STRENGTH OF THE REINFORCEMENT.
- WELDING OF REINFORCEMENT WILL NOT BE PERMITTED UNLESS SHOWN ON THE STRUCTURAL DRAWINGS.
- PIPES OR CONDUITS SHALL NOT BE PLACED WITHIN THE CONCRETE COVER TO REINFORCEMENT WITHOUT THE APPROVAL OF THE ENGINEER. THE CONCRETE COVER TO EMBEDDED PIPES OR CONDUITS SHALL BE A MINIMUM OF 20mm.
- REINFORCEMENT SYMBOLS:-
 - S-DENOTES GRADE 230S HOT ROLLED DEFORMED BARS TO AS 1302.
 - Y-DENOTES GRADE 410Y TEMP CORE DEFORMED BAR TO AS 1302.
 - R-DENOTES GRADE 230R HOT ROLLED PLAIN BARS TO AS 1302.
 - F-DENOTES HARD-DRAWN WIRE REINFORCING FABRIC TO AS 1304.
 - W-DENOTES HARD-DRAWN PLAIN WIRE TO AS 1303.
- ALL REINFORCEMENT FABRIC SHALL COMPLY WITH AS 1303 AND AS 1304 AND SHALL BE SUPPLIED AS FLAT SHEETS.
- ALL THE REQUIREMENTS OF THE ACSE CONCRETE SPECIFICATION DOCUMENT 1 SHALL APPLY TO THE FORMWORK, REINFORCEMENT AND CONCRETE.
- ALL CONCRETE TO BE MECHANICALLY VIBRATED IN FORM TO GIVE MAXIMUM COMPACTION WITHOUT SEGREGATION OF CONCRETE.
- PROVIDE 20mm CHAMFER TO ALL EXPOSED EDGES U.N.O.

SURVEY LEGEND

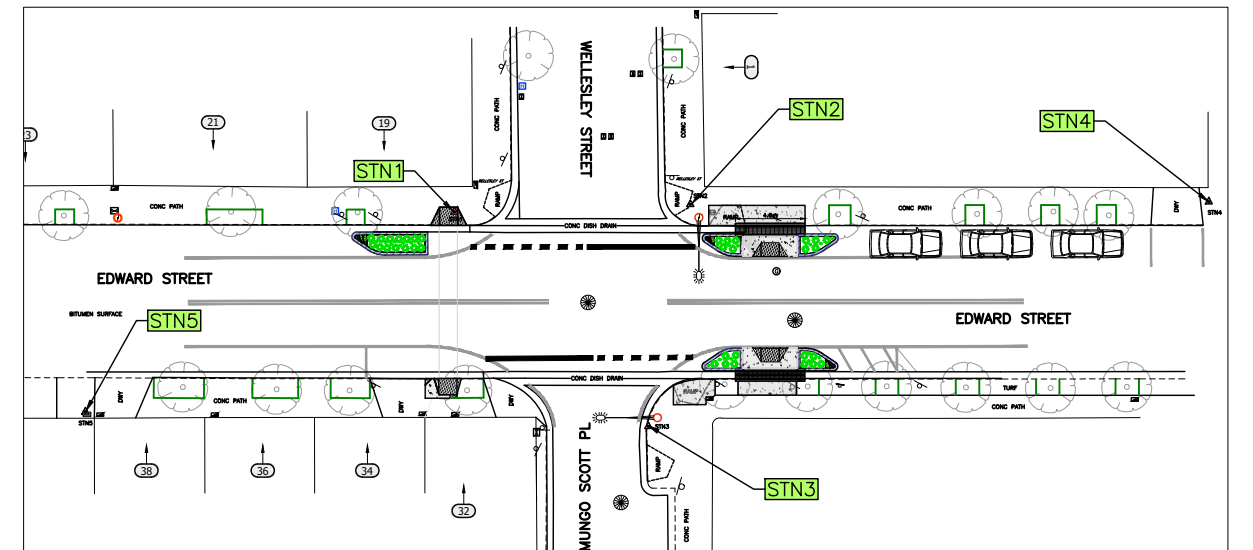
SYMBOLS	
▲	STATE SURVEY MARK
▲	PERMANENT SURVEY MARK
○	SURVEY STATION
○	DRILL HOLE & WING
○	DRILLED HOLE
○	SURVEY NAIL
○	SIGN
○	SILENT COP
○	COLUMN
○	BOLLARD
○	HYDRANT
○	POWER POLE
○	LIGHT POLE
○	ELECTRICITY & LIGHT POLE
○	ELECTRICITY PILLAR
○	PHONE BOOTH
○	MAIL BOX
○	TELECOM. SERVICE COVER
○	TELECOMMUNICATION PILLAR
○	RUBBISH BIN
○	MANHOLE (STORMWATER/SEWER)
○	MANHOLE (TRIANGULAR/SQUARE)
○	WATER STOP VALVE
○	WATER METER
○	GAS VALVE
○	OPTUS PIT / RMS PIT
○	PARKING METER
○	UNKNOWN SERVICE COVER
○	SEWER LAMP HOLE
○	TRAFFIC LIGHT BOX
○	TRAFFIC LIGHTS
○	TREES / SHRUB

EXISTING SERVICES

DRAINAGE LINE	-----
ELECTRICITY	-----
GAS	-----
OIL PIPELINE	-----
SEWER	-----
TELECOM	-----
WATER	-----
OPTIC FIBER	-----
SUBSOIL	-----
NSW	-----
OPTUS	-----
OVERHEAD ELECT.	-----
O'H D ELECT & TEL	-----
UNKNOWN	-----

SURVEY STATION COORDINATES

STATION	EASTING	NORTHING	ELEVATION
STN1	500.000	500.000	10.000
STN2	515.599	500.504	9.762
STN3	512.827	485.829	9.389
STN4	549.892	500.680	8.772
STN5	475.589	486.784	9.970



SURVEY STATION PLAN

NOT TO SCALE

FOR CONSTRUCTION

UNLESS DETAILED ON THIS DRAWING ALL WORK SHALL CONFORM TO
AUS SPEC

IMPORTANT

IN CASE OF EMERGENCY, CONTACT THE FOLLOWING SERVICE AUTHORITIES; IF THEIR SERVICES ARE INVOLVED/AFFECTED

AUTHORITY	CONTACT NO.	SERVICE TYPE
AARNET PTY LTD	1300 275 662	FIBRE OPTIC ASSETS
AUSGRD	02 4951 0898	LOW VOLTAGE LINE
JEMENA GAS SOUTH	1300 880 908	PRIMARY & DISTRIBUTION
NBN CO.	1800 826 329	BURIED FIBRE OPTIC CABLES
NEXTGEN	1800 032 532	BURIED FIBRE OPTIC CABLES
OPTUS	1800 505 777	BURIED FIBRE OPTIC CABLES
SYDNEYWATER	13 20 92	WATER & SEWER LINES
TELSTRA	1800 653 935	BURIED CABLES
VERIZON	02 9434 5000	BURIED CABLES



WARNING!
BWARE OF UNDERGROUND SERVICES
THE LOCATION OF UNDERGROUND SERVICES HAVE BEEN INTERPOLATED FROM AERIAL PHOTOGRAMMETRIC DATA OR KNOWN POSITIONS OF VALVES, MANHOLES ETC. OR INFORMATION SUPPLIED BY SERVICE AUTHORITIES. NO RESPONSIBILITY IS TAKEN FOR THE ACCURACY OF THE INTERPOLATED INFORMATION SUPPLIED. ENSURE ALL SERVICES ARE ACCURATELY LOCATED PRIOR TO COMMENCEMENT OF WORK.

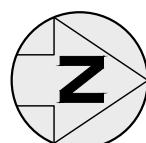
CHECKED & APPROVED
ADAM DILLON
10-11-22

DESIGNED BY
JALAL UDDIN
30-11-22

APPROVED FOR CONSTRUCTION
JALAL UDDIN
30-11-22

INNER WEST

2-14 FISHER STREET, PETERSHAM NSW 2049
Ph. 02 9392 5000
Post: PO Box 14 PETERSHAM
council@innerwest.nsw.gov.au
Web: https://www.innerwest.nsw.gov.au



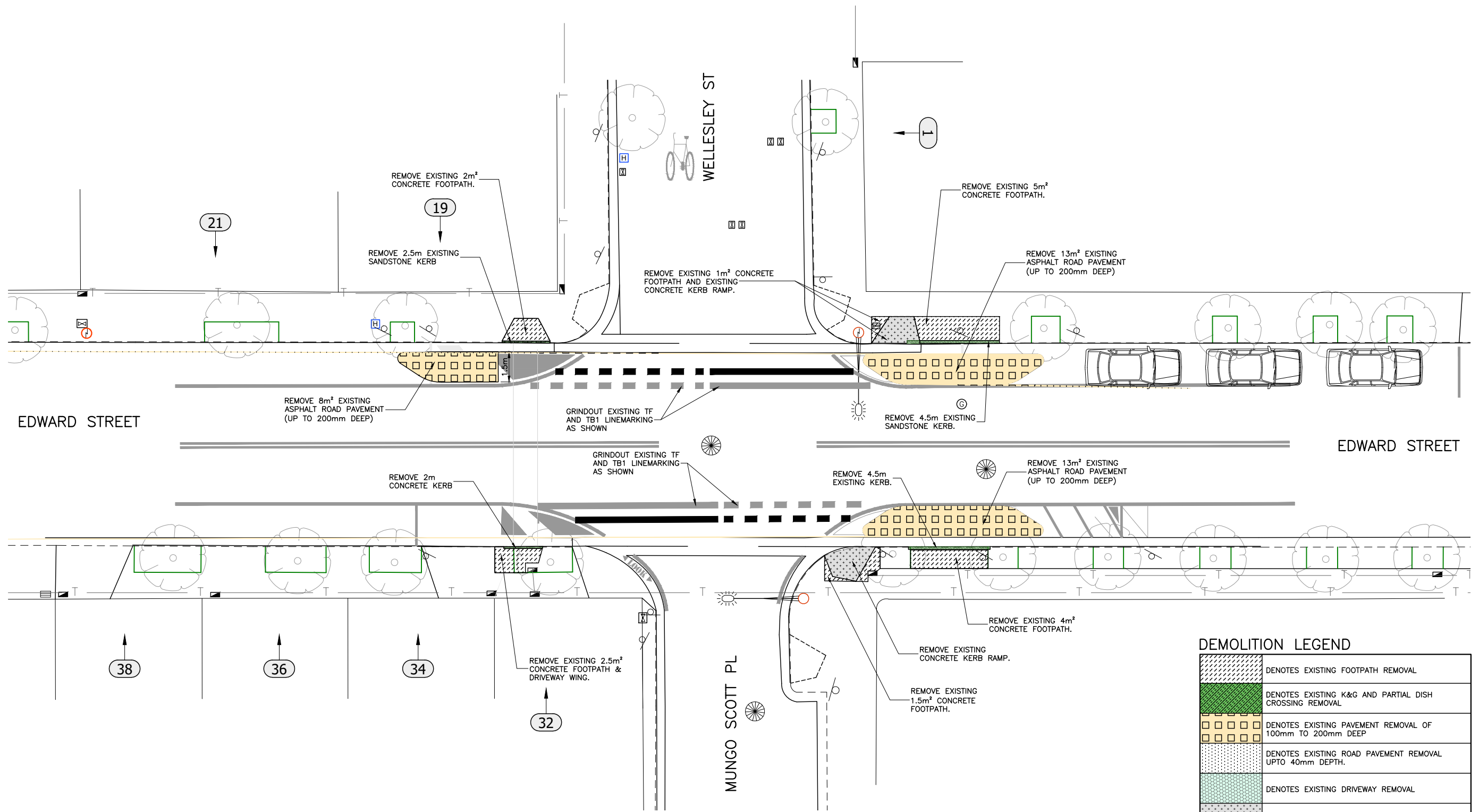
SURV. GEN.
R.M.S.
A.G.L. / SHELL PIPELINES
SYDNEY WATER
TELSTRA / OPTUS
AUSGRD
NOTICE OF ENTRY
KERB & GUTTER
NOTICES DATE

COORDINATE SYSTEM
LOCAL
SCALES (ORIGINAL A1)
N.A.
REV. DATE DESCRIPTION APPROV.

EDWARD STREET, SUMMER HILL
AT MUNGO SCOTT PLACE & WELLESLEY STREET
PROPOSED KERB BLISTER ISLANDS
NOTES & SCHEDULES

PROJECT NO. 303093
SHEET NO. 2 of 8
PLAN NO. 10228
SHEET REV #

\\hpc-filer001\innerwest.nsw.gov.au\asset and Environment\BSEF\CD\23\151197\303093-SUM-EdwardStMungoScottPl-KerbBlisterIslands\Design\303093-10228-Plans.dwg



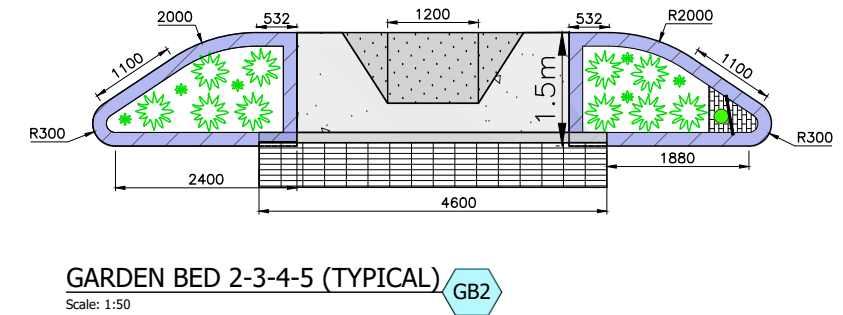
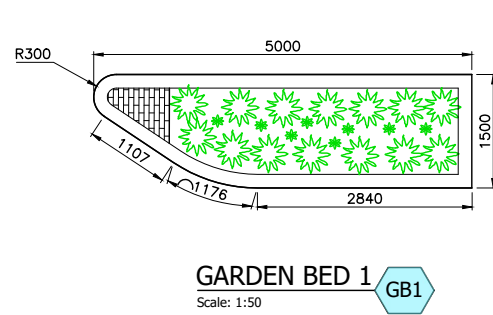
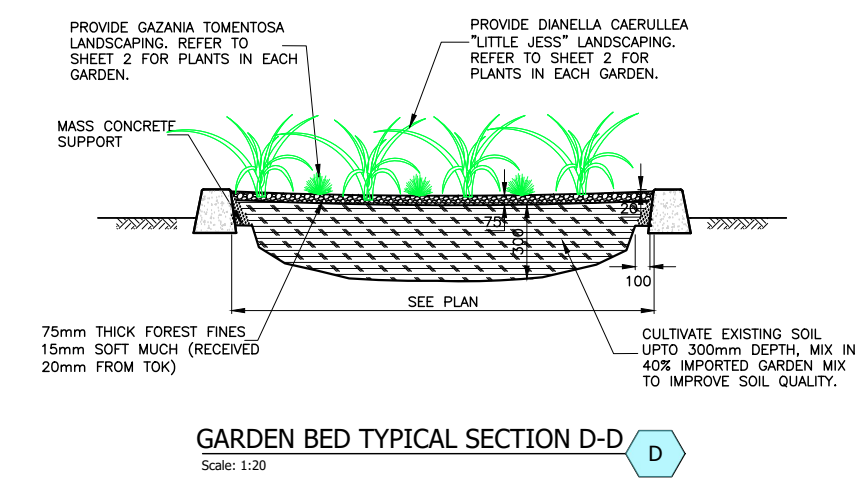
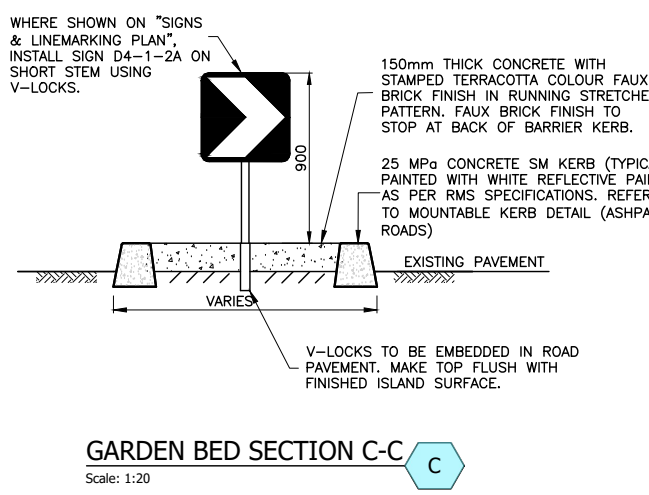
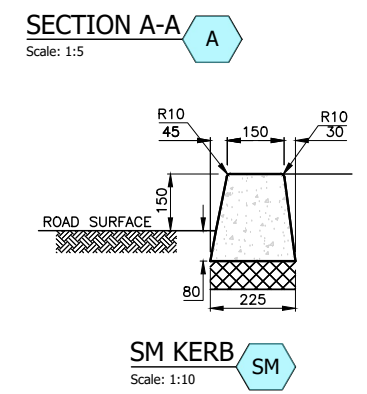
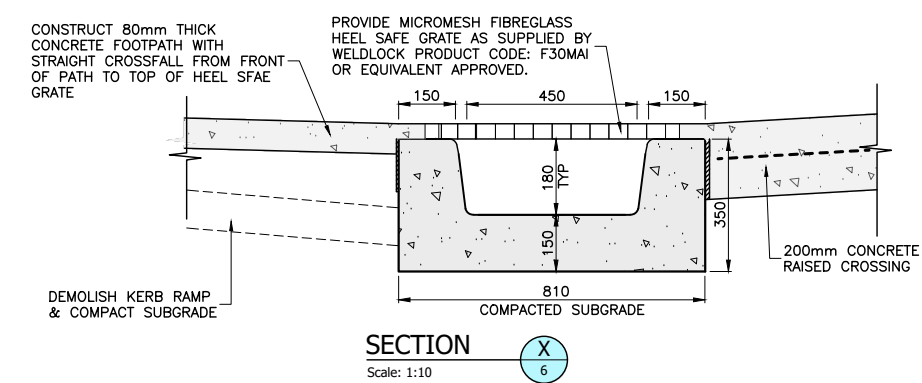
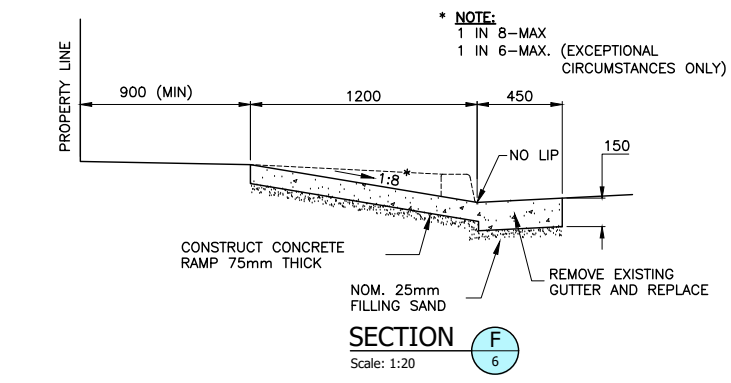
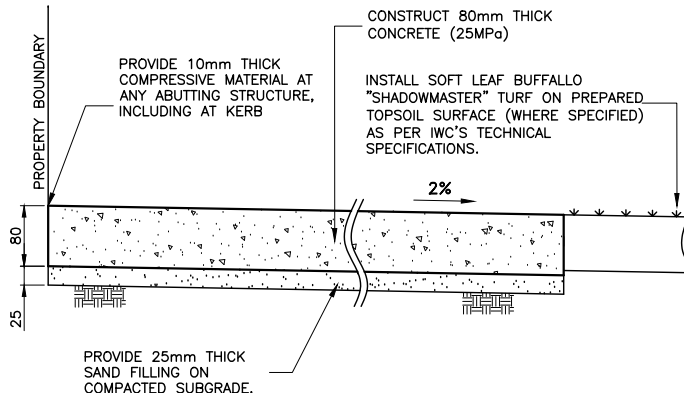
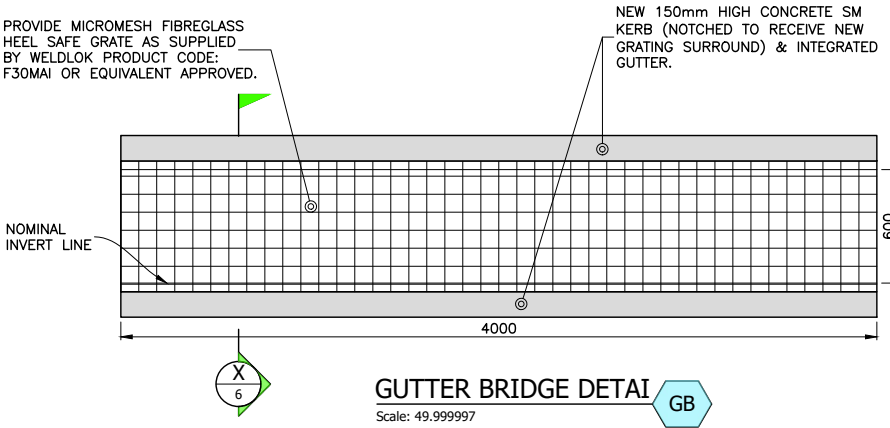
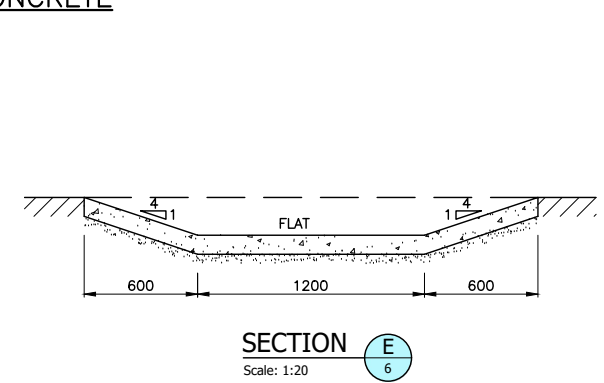
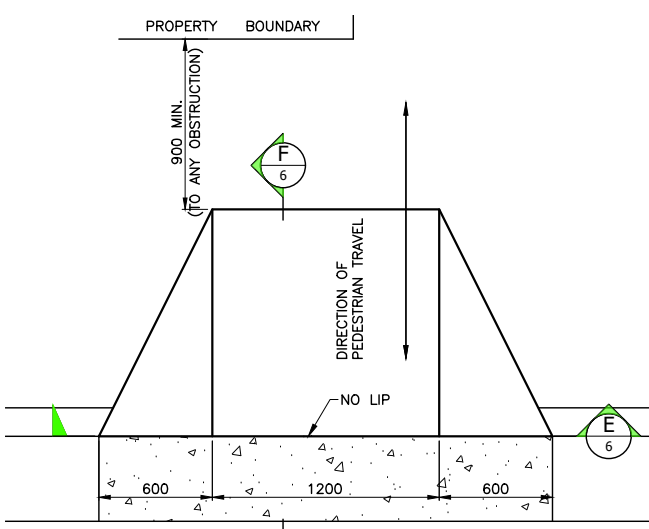
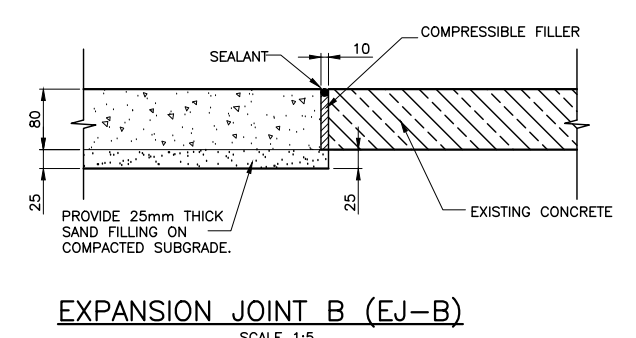
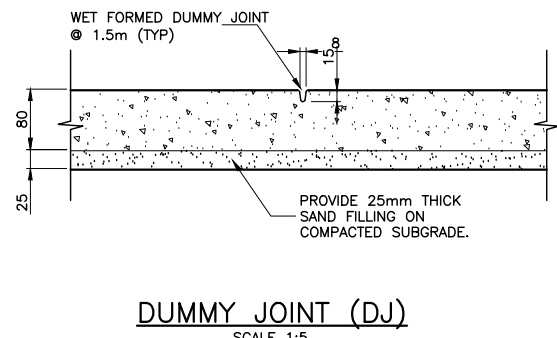
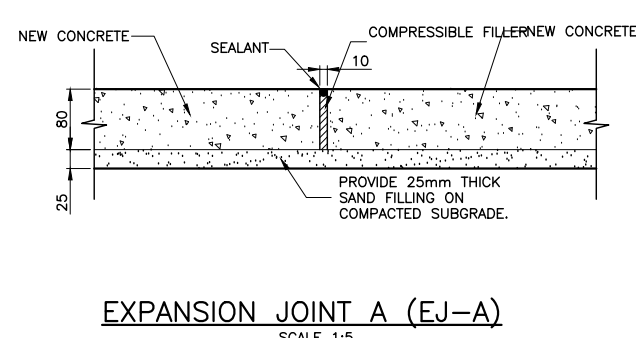
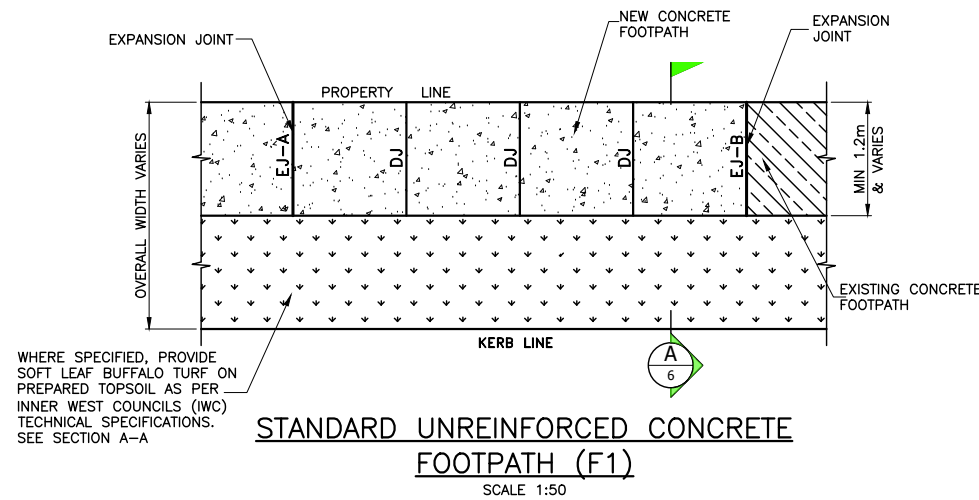
DEMOLITION LEGEND	
	DENOTES EXISTING FOOTPATH REMOVAL
	DENOTES EXISTING K&G AND PARTIAL DISH CROSSING REMOVAL
	DENOTES EXISTING PAVEMENT REMOVAL OF 100mm TO 200mm DEEP
	DENOTES EXISTING ROAD PAVEMENT REMOVAL UPTO 40mm DEPTH.
	DENOTES EXISTING DRIVEWAY REMOVAL
	DENOTES EXISTING KERB RAMP REMOVAL
	DENOTES EXISTING ISLAND REMOVAL

DEMOLITION PLAN
Scale 1:100

0 1 2 3 4 5 6 7 8
SCALE 1:100 (A1) SCALE 1:200 (A3)

FOR CONSTRUCTION

CHECKED & APPROVED 23/11/23	SURVEYED BY ADAM DILLON 10-11-22	INNER WEST 2-14 FISHER STREET, PETERSHAM NSW 2049 Ph. 02 9392 5000 Post: PO Box 14 PETERSHAM council@innerwest.nsw.gov.au Web: https://www.innerwest.nsw.gov.au		SURV. GEN. R.M.S. A.G.L. / SHELL PIPELINES SYDNEY WATER TELSTRA / OPTUS AUSGRD NOTICE OF ENTRY KERB & GUTTER NOTICES DATE	COORDINATE SYSTEM LOCAL SCALES (ORIGINAL A1) 1:100	EDWARD STREET, SUMMER HILL AT MUNGO SCOTT PLACE & WELLESLEY STREET PROPOSED KERB BLISTER ISLANDS DEMOLITION PLAN	PROJECT NO. 303093	SHEET NO. 3 of 8
	APPROVED FOR CONSTRUCTION 23/11/23			DESIGNED BY JALAL UDDIN 30-11-22	DRAWN BY JALAL UDDIN 30-11-22		REV. DATE DESCRIPTION APPROV.	PLAN NO. 10228

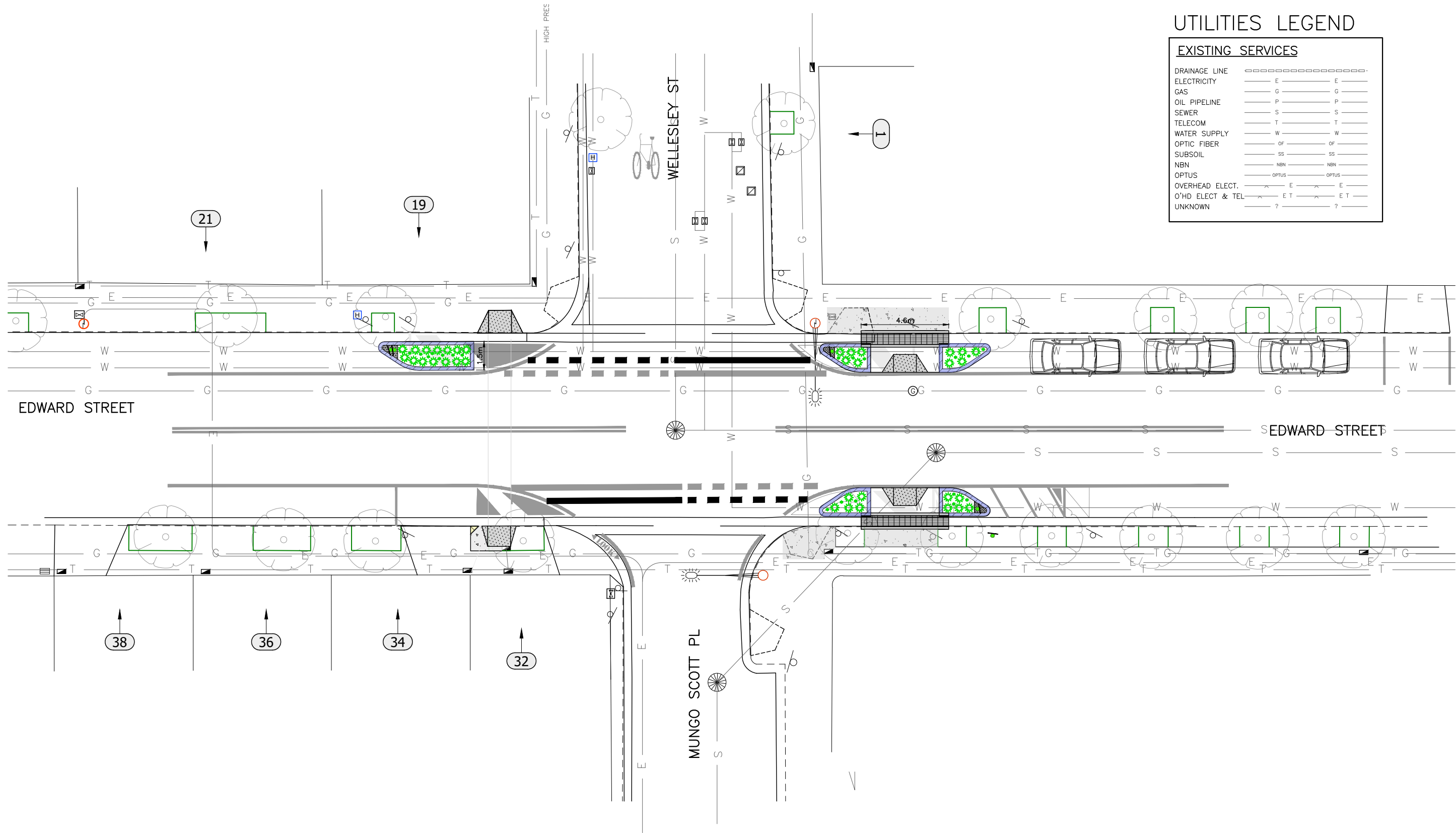


FOR CONSTRUCTION

CHECKED & APPROVED 23/12/23	SURVEYED BY ADAM DILLON 10-11-22	 2-14 FISHER STREET, PETERSHAM NSW 2049 Ph. 02 9392 5000 Post: PO Box 14 PETERSHAM council@innerwest.nsw.gov.au Web: https://www.innerwest.nsw.gov.au	SURV. GEN. R.M.S. A.G.L. / SHELL PIPELINES SYDNEY WATER TELSTRA / OPTUS AUSGRD NOTICE OF ENTRY KERB & GUTTER NOTICES DATE	COORDINATE SYSTEM LOCAL SCALES (ORIGINAL A1) AS SHOWN	REV. DATE DESCRIPTION APPROV.	EDWARD STREET, SUMMER HILL AT MUNGO SCOTT PLACE & WELLESLEY STREET PROPOSED KERB BLISTER ISLANDS DETAILS		PROJECT NO. 303093	SHEET NO. 6 of 8
						APPROVED FOR CONSTRUCTION 23/12/23		PLAN NO. 10228	SHEET REV #

UTILITIES LEGEND

EXISTING SERVICES	
DRAINAGE LINE	-----
ELECTRICITY	----- E ----- E -----
GAS	----- G ----- G -----
OIL PIPELINE	----- P ----- P -----
SEWER	----- S ----- S -----
TELECOM	----- T ----- T -----
WATER SUPPLY	----- W ----- W -----
OPTIC FIBER	----- OF ----- OF -----
SUBSOIL	----- SS ----- SS -----
NBN	----- NBN ----- NBN -----
OPTUS	----- OPTUS ----- OPTUS -----
OVERHEAD ELECT.	----- E ----- E -----
O'HD ELECT & TEL	----- E T ----- E T -----
UNKNOWN	----- ? ----- ? -----



UNDERGROUND UTILITIES PLAN
Scale 1:100

0 1 2 3 4 5 6 7 8
SCALE 1:100 (A1) SCALE 1:200 (A3)

FOR CONSTRUCTION

CHECKED & APPROVED 23/12/23	SURVEYED BY ADAM DILLON 10-11-22	INNER WEST 2-14 FISHER STREET, PETERSHAM NSW 2049 Ph. 02 9392 5000 Post: PO Box 14 PETERSHAM council@innerwest.nsw.gov.au Web: https://www.innerwest.nsw.gov.au		SURV. GEN. R.M.S. A.G.L. / SHELL PIPELINES SYDNEY WATER TELSTRA / OPTUS AUSGRD NOTICE OF ENTRY KERB & GUTTER NOTICES DATE	COORDINATE SYSTEM LOCAL SCALES (ORIGINAL A1) 1:100	EDWARD STREET, SUMMER HILL AT MUNGO SCOTT PLACE & WELLESLEY STREET PROPOSED KERB BLISTER ISLANDS UNDERGROUND UTILITIES PLAN	PROJECT NO. 303093	SHEET NO. 8 of 8
	APPROVED FOR CONSTRUCTION 23/12/23			DESIGNED BY JALAL UDDIN 30-11-22	DRAWN BY JALAL UDDIN 30-11-22		REV. DATE DESCRIPTION APPROV.	PLAN NO. 10228

\\rec-filer01\innerwest.nsw.gov.au\rec\asset and Environment\GIS\CD\23151197\303093-SUM-EdwardsMungoScottPl-KerbBlisterIsland\Design\303093-10228-Plans.dwg